


# T.line

## SPECIFICATION TRACK LINEAR LIGHT



30W ,35W,40W,45W   
Dipswitch Power Adjustable

**160**  
**lm/W**

 CCT  
3000K-6000K

 IP20

 IK04

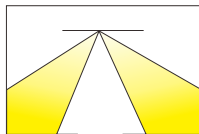
 Dimmable  
Optional

**PF > 0.95**

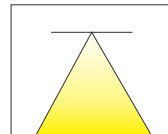


DIP  
SWITCH

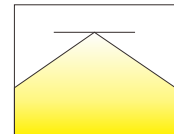
SDCM  
<3 Steps



Double  
Asymmetrical



60°



90°

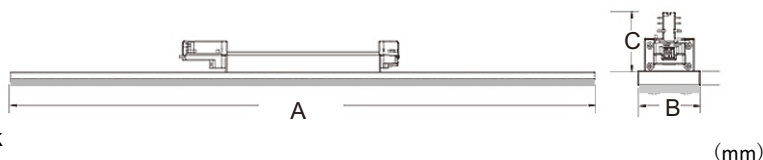
## T.line HE



## Product specification

## INTERIOR TRACK LIGHT PANEL

Installation	Track light
Cut out	-
Dimension	A=1152MM B=65MM C=79MM



## Item Specifications

Model No.	LM-TL45W-120A	LM-TL30W-120A	LM-TL40W-120A	LM-TL50W-120A
Wattage	30W ,35W,40W,45W Dipswitch Power Adjustable	30W	40W	50W
Output Lumen	4,800-7,240lm	4,800lm	6,400lm	8,000lm
Luminous efficacy	160lm/W@ CRI RA>80			
CCT	3000K/4000K/6000K			
CRI	Ra>80 (CRI RA >90 ,PREMIUM)			
IP Rating	IP20			
Operating temperature	-20°C to +45°C			
Input voltage	AC220-240V, 50-60Hz			
Warranty	5 years warranty			
Lifespan	>50000hrs			
Beam angle	60°/90°/Double Asymmetric			
Intelligent Control	ON/OFF /DALI			

Technical character	
Insulation	CLASS I
Protection	IP 20
Tilt	0°
Rotate	0°
Operating temperature	-20~40°C
Average Failure Time	L70(10k) >60000 (h)

Materials	
Luminaire	Extrusion aluminum
Reflector	Modular TIR lens
Heat sink	Extrusion aluminum
Gear box	Aluminum
Color available	white / black
Driver	built in , Aluminum case

## Package

inner box	1193X128X115mm 2.13kg
outer box	1213X282X388mm 12.5kg 6PCS/CTN

## Accessories

4 wires 3-PHASE track rail

## Connectors

## Remarks



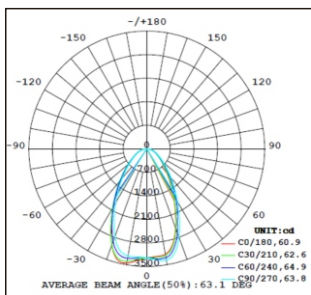
\*1. LUMEN : for LED chip test result based on Tc=85°C.

This is the ideal (Maximum) lumen. This lumen information is from the LED supplier

\*2. LUMEN(system) (Total FLUX) : this lumen is from luminaire with heat sink, reflector and fixture,  
this is the real lumen with the loss because of different design of reflectors and fixtures.

Photometric

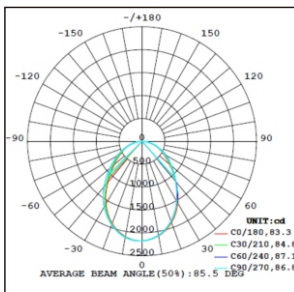
30W 4000K 60°



Flux out: 2340 lm

Height	Emp. Diam	Angle: 60.00deg	Diameter
1m	2248.33271m		117.88cm
2m	518.8391.61m		238.08cm
3m	229.21869.61m		352.64cm
4m	129.81207.91m		470.16cm
5m	82.53119.11m		587.78cm
6m	57.91.92.401m		708.27cm
7m	42.111.87.891m		822.82cm
8m	32.24.81.981m		940.37cm
9m	25.47.41.071m		1057.91cm
10m	20.43.39.071m		1178.64cm

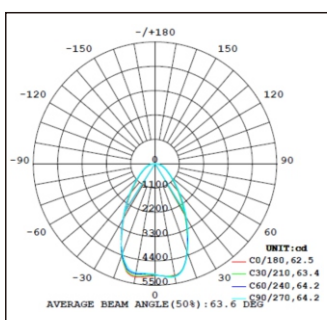
30W 4000K 90°



Flux out: 2620 lm

Height	Emp. Diam	Angle: 90.00deg	Diameter
1m	1024.21761m		177.88cm
2m	294.0344.11m		355.76cm
3m	119.8241.61m		533.64cm
4m	66.0119.01m		711.52cm
5m	40.9627.01m		889.40cm
6m	29.4540.451m		1067.28cm
7m	20.9744.41m		1245.16cm
8m	16.0044.001m		1423.04cm
9m	12.6428.971m		1600.92cm
10m	10.2421.741m		1778.80cm

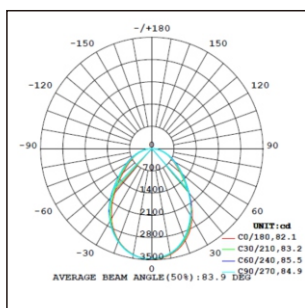
45W 4000K 60°



Flux out: 3759 lm

Height	Emp. Diam	Angle: 60.47deg	Diameter
1m	3045.90791m		123.89cm
2m	746.212493m		247.37cm
3m	340.8368.71m		371.06cm
4m	191.5127.12m		494.74cm
5m	122.41202.91m		618.43cm
6m	83.13140.92m		742.11cm
7m	62.55108.91m		865.80cm
8m	47.89.79.241m		989.48cm
9m	37.54.62.431m		1113.17cm
10m	30.43.50.731m		1236.86cm

45W 4000K 90°



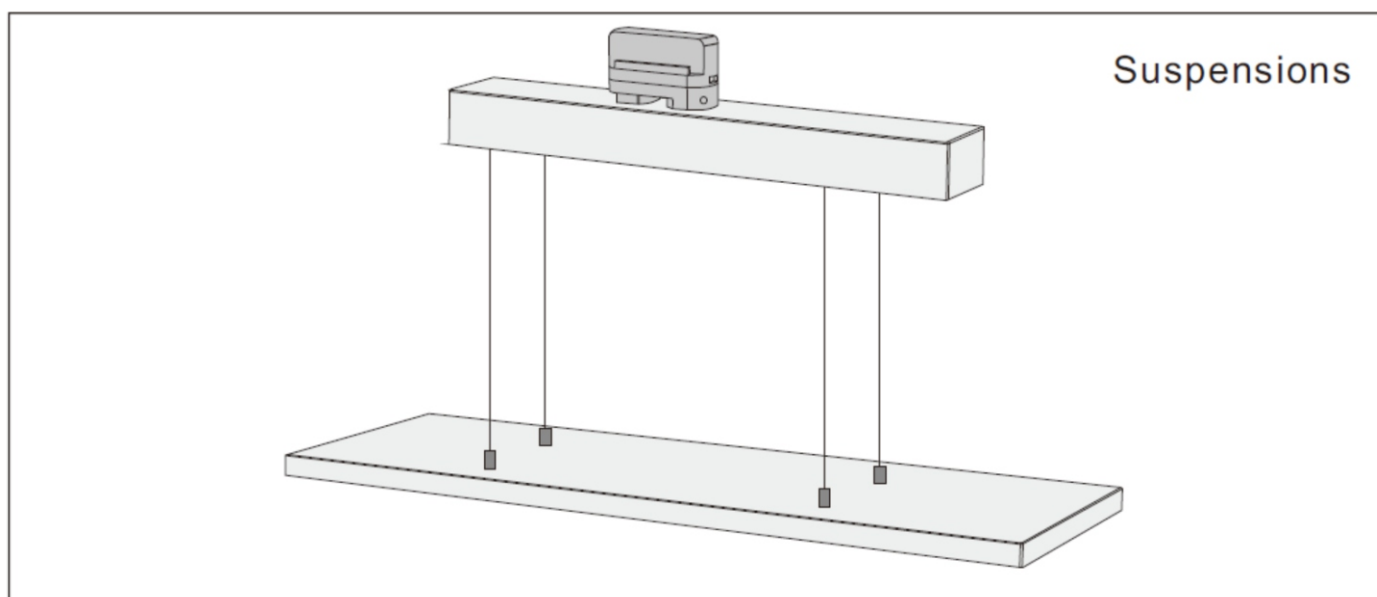
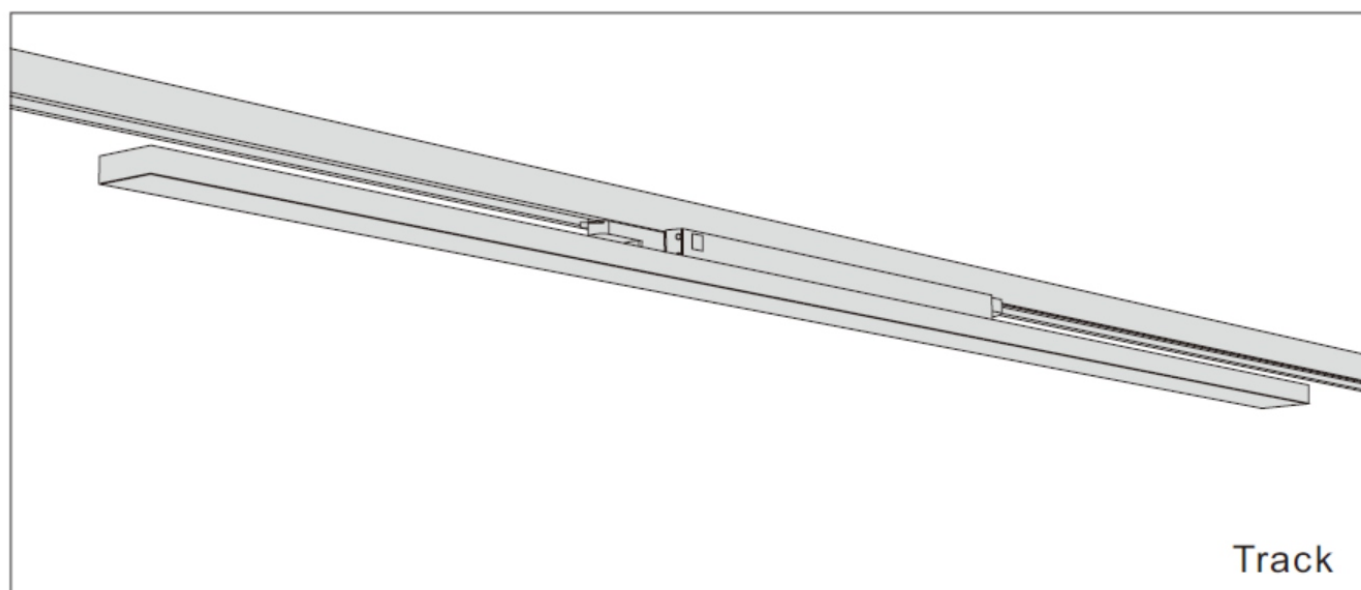
Flux out: 4171 lm

Height	Emp. Diam	Angle: 92.06deg	Diameter
1m	1637.84781m		174.08cm
2m	409.4189.81m		348.16cm
3m	181.8198.61m		522.24cm
4m	102.91257.51m		696.32cm
5m	65.90139.21m		870.40cm
6m	45.45.96.451m		1044.48cm
7m	33.42.71.001m		1218.56cm
8m	25.59.54.841m		1392.64cm
9m	20.22.42.931m		1566.72cm
10m	16.37.34.791m		1740.80cm

Note: The Curves indicate the illuminated area and the average illumination when the luminaire is at different distance.

## Installation

---



### Warnings:

1. Make sure that the product is installed properly before connecting to electricity.
2. Do not cover the fitting.
3. Maintenance and installation should only be carried out by a professional electrician.

## Applications:

Widely applied for general lighting in large interior space in retail shops, galleries, museum or any other interior lighting.



fashion



home store



department store



automotive



consumer  
electronics



food

