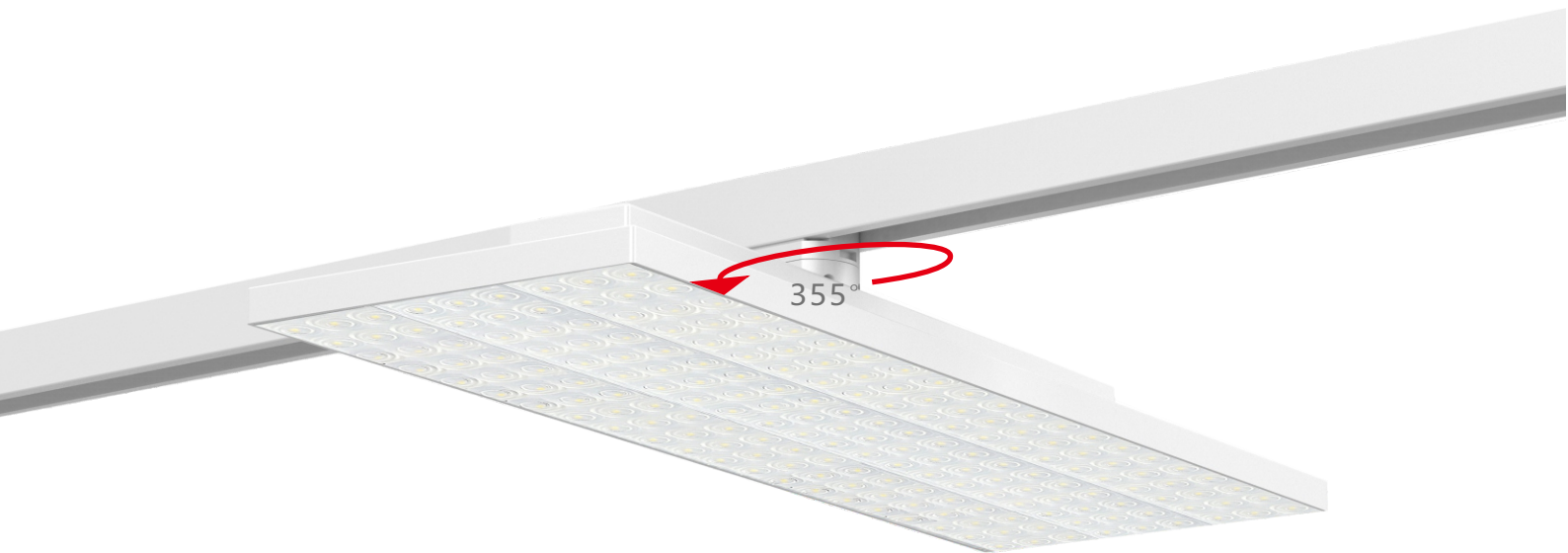


T.PANEL

SPECIFICATION TRACK LIGHT PANEL



44W ,52W,60W,68W
Dipswitch Power Adjustable



160
lm/W



355°
Rotation



CCT
3000K-6000K



IP20



IK04



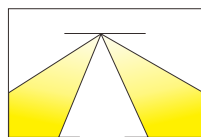
Dimmable
Optional

PF > 0.95

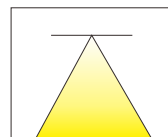


DIP
SWITCH

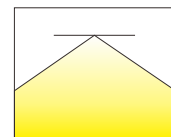
SDCM
<3 Steps



Double
Asymetrical



60°



90°

T.PANEL HE

Product specification

INTERIOR TRACK LIGHT PANEL	
Installation	Track light
Cut out	-
Dimension	A=578MM B=188MM C=80MM

White
 Black

Item Specifications

Model No.	LM-TP68W-A	LM-TP40W-A	LM-TP50W-A	LM-TP60W-A	LM-TP70W-A
Wattage	44W,52W,60W,68W Dipswitch Power Adjustable	40W	50W	60W	70W
Output Lumen	7,000-10,880lm	6,400lm	8,000lm	9,600lm	11,200lm
Luminous efficacy	160lm/W@ CRI RA>80				
CCT	3000K/4000K/6000K				
CRI	Ra>80 (CRI RA >90 ,PREMIUM)				
IP Rating	IP20				
Operating temperature	-20°C to +45°C				
Input voltage	AC220-240V, 50-60Hz				
Warranty	5 years warranty				
Lifespan	>50000hrs				
Beam angle	60°/90°/Double Asymmetric				
Intelligent Control	ON/OFF /DALI				

Technical character	
Insulation	CLASS I
Protection	IP 20
Tilt	0°
Rotate	0~355°
Operating temperature	-20~40°C
Average Failure Time	L70(10k) >60000 (h)

Package	
inner box	608X152X237mm 2.56kg
outer box	626X330X509mm 11.5kg 4PCS/CTN

Remarks



Materials	
Luminaire	Extrusion aluminum
Reflector	Modular TIR lens
Heat sink	Extrusion aluminum
Gear box	Aluminum
Color available	white / black
Driver	built in , Aluminum case

Accessories

4 wires 3-PHASE track rail

Connectors

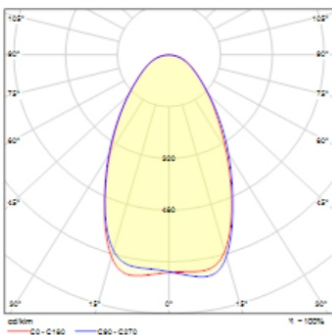
*1. LUMEN : for LED chip test result based on Tc=85°C.

This is the ideal (Maximum) lumen. This lumen information is from the LED supplier

*2. LUMEN(system) (Total FLUX) : this lumen is from luminaire with heat sink, reflector and fixture, this is the real lumen with the loss because of different design of reflectors and fixtures.

Photometric

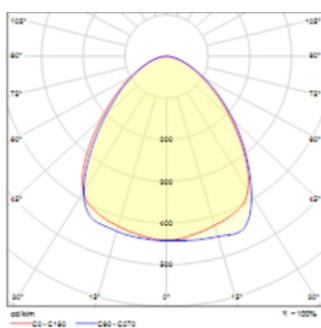
44W 4000K 60°



Flux out: 9989 lm

Height	Beam Diameter
1m	123.64cm
2m	247.27cm
3m	370.91cm
4m	494.55cm
5m	618.19cm
6m	741.82cm
7m	865.46cm
8m	989.10cm
9m	1112.73cm
10m	1236.37cm

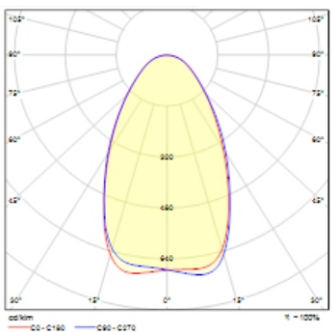
44W 4000K 90°



Flux out: 9021 lm

Height	Beam Diameter
1m	197.43cm
2m	394.87cm
3m	592.30cm
4m	789.74cm
5m	987.17cm
6m	1184.61cm
7m	1382.04cm
8m	1579.47cm
9m	1776.91cm
10m	1974.34cm

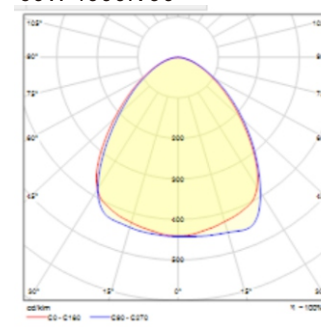
60W 4000K 60°



Flux out: 4954 lm

Height	Beam Diameter
1m	123.27cm
2m	246.54cm
3m	369.81cm
4m	493.07cm
5m	616.34cm
6m	739.61cm
7m	862.88cm
8m	986.15cm
9m	1109.41cm
10m	1232.68cm

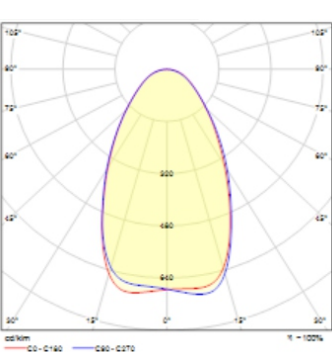
60W 4000K 90°



Flux out: 6901 lm

Height	Beam Diameter
1m	197.43cm
2m	394.87cm
3m	592.30cm
4m	789.74cm
5m	987.17cm
6m	1184.61cm
7m	1382.04cm
8m	1579.47cm
9m	1776.91cm
10m	1974.34cm

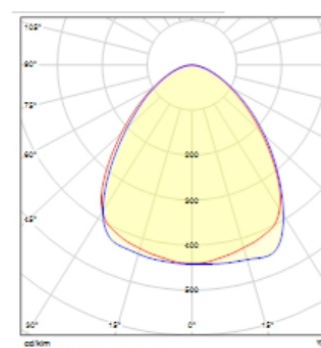
68W 4000K 60°



Flux out: 5692 lm

Height	Beam Diameter
1m	123.17cm
2m	246.34cm
3m	369.51cm
4m	492.67cm
5m	615.84cm
6m	739.01cm
7m	862.18cm
8m	985.35cm
9m	1108.51cm
10m	1231.68cm

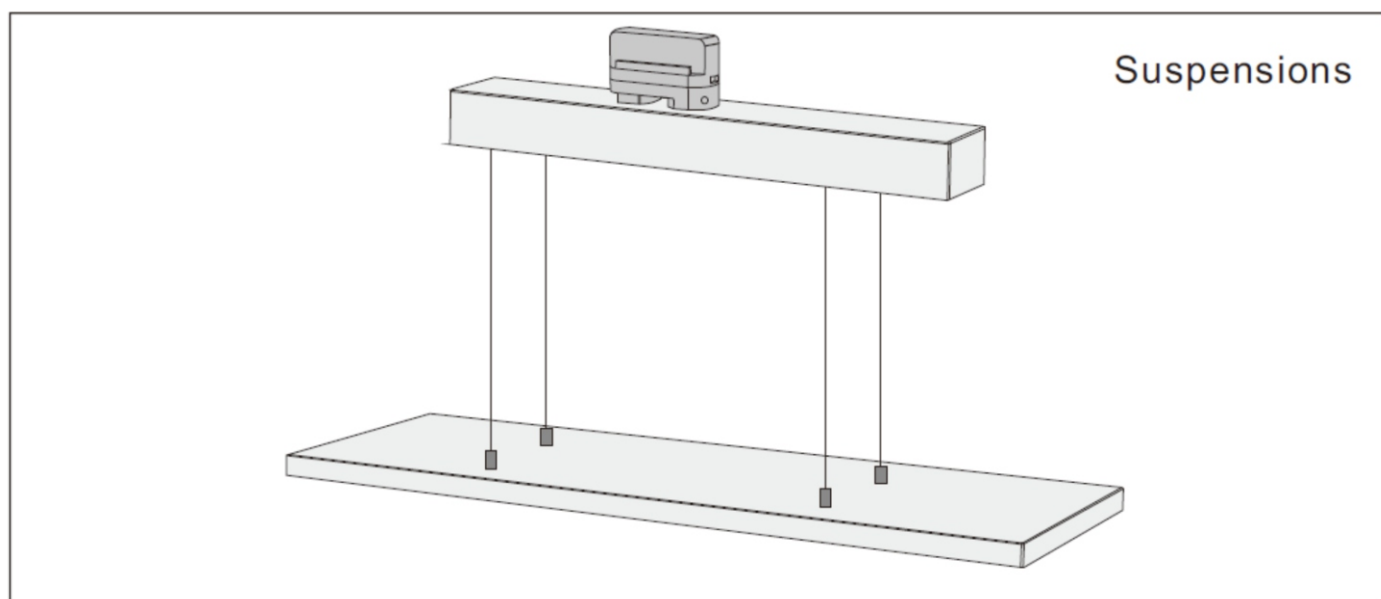
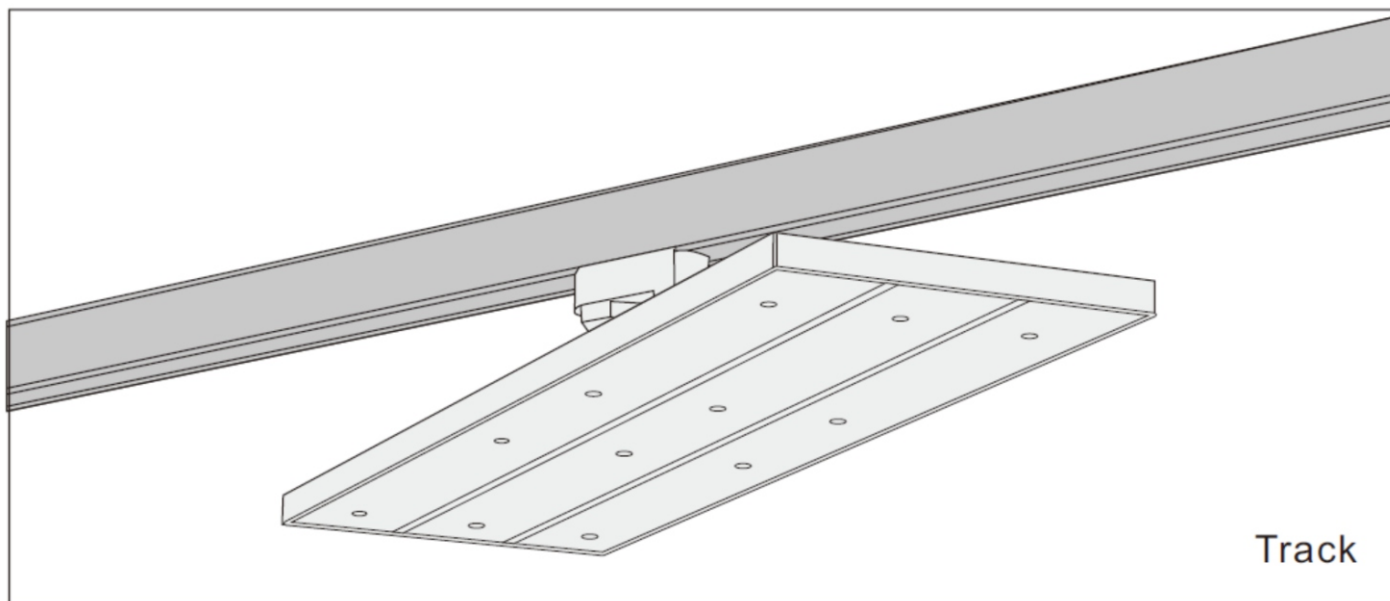
68W 4000K 90°



Flux out: 7242 lm

Height	Beam Diameter
1m	197.43cm
2m	394.87cm
3m	592.30cm
4m	789.74cm
5m	987.17cm
6m	1184.61cm
7m	1382.04cm
8m	1579.47cm
9m	1776.91cm
10m	1974.34cm

Installation



Warnings:

1. Make sure that the product is installed properly before connecting to electricity.
2. Do not cover the fitting.
3. Maintenance and installation should only be carried out by a professional electrician.

Applications:

Widely applied for general lighting in large interior space in retail shops, galleries, museum or any other interior lighting.



fashion



home store



department store



automotive



consumer
electronics



food

