

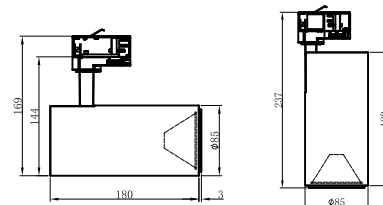
TLA EVO 85



Product specification

INTERIOR TRACK LIGHT

Installation	Track light
Cut out	-
Dimension	237 x 180x D85mm



○ White ● Black

(mm)

Item Specifications

Model No.	TL85A25WN	TL85A30WN	TL85A35WN	TL85A40WN
Wattage	25W	30W	35W	40W
Output Lumen	2500-2700lm	3000-3300lm	3500-3700lm	4000-4350lm
Luminous efficacy	100-110lm/W@ CRI RA>80 ; 90-100lm/W@CRI RA 90 (PREMIUM)			
CCT	2700K/3000K/4000K/5000K			
CRI	Ra>80 (CRI RA >90 ,PREMIUM)			
IP Rating	IP20			
Operating temperature	-20°C to +45°C			
Input voltage	AC220-240V, 50-60Hz			
Warranty	5 years warranty			
Lifespan	>50000hrs			
Beam angle	15/24/38/60°			
Intelligent Control	1-10V DC ,DALI ,TRIAC dimmable , Tri-Colors dipswitch			

Technical character	
Insulation	CLASS I
Protection	IP 20
Tilt	0~90°
Rotate	0~355°
Operating temperature	-20~40°C
Average Failure Time	L70(10k) >60000 (h)

Materials	
Luminaire	Die-casting aluminum
Reflector	optic lens or reflector
Heat sink	Die-cast aluminum
Gear box	none
Color available	white / black
Driver	built in , Plastic case

Package

inner box	95*95*H300mm 0.98kg
outer box	500*312*320mm 14.5kg 15PCS/CTN

Accessories (coming soon)



Honeycomb louvre
Code
75OA01H



Barn doors
Code
75OA02B



Cone 45° wall washer
Code
75OA03W



Short snoot
Code
75OA04S

Remarks



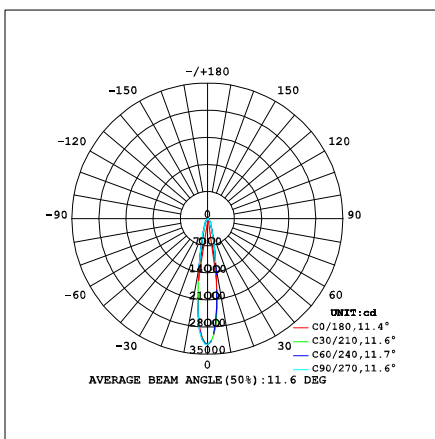
*1. LUMEN : for LED chip test result based on Tc=85°C.

This is the ideal (Maximum) lumen. This lumen information is from the LED supplier

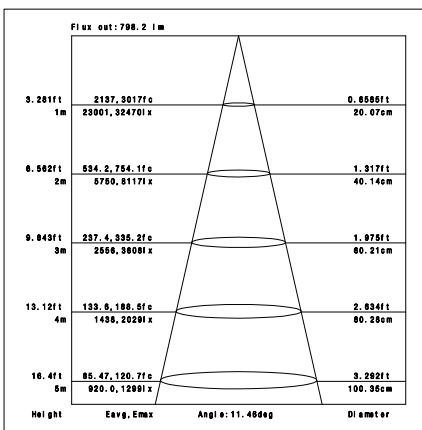
*2. LUMEN(system) (Total FLUX) : this lumen is from luminaire with heat sink, reflector and fixture, this is the real lumen with the loss because of different design of reflectors and fixtures.

Photometric

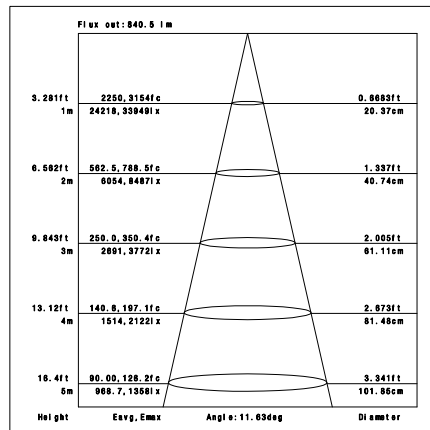
CRI80 15°



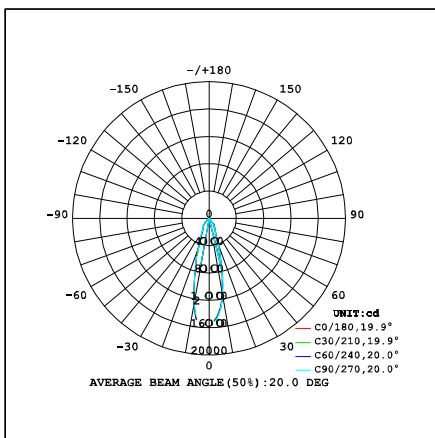
3000K



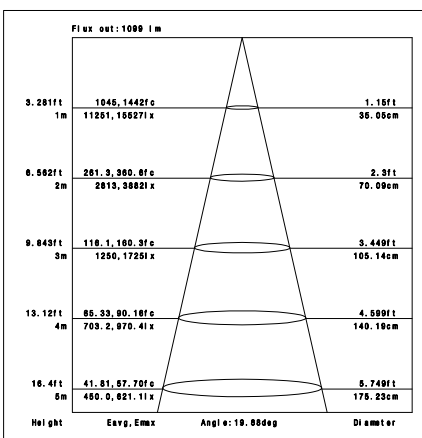
4000K



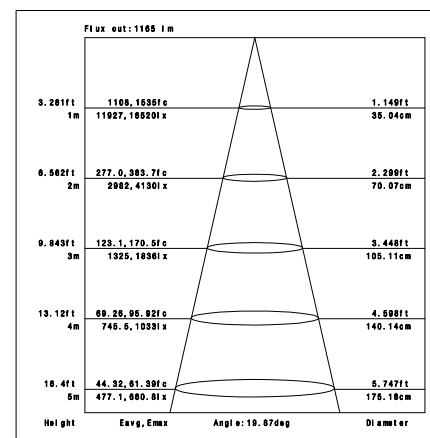
CRI80 24°



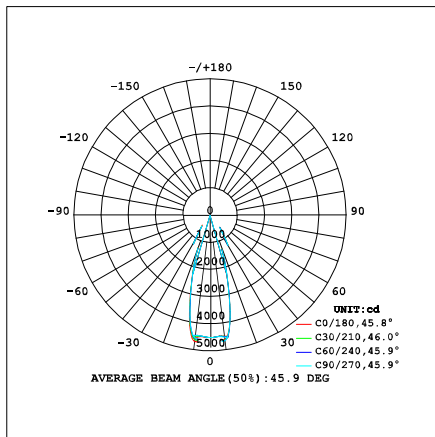
3000K



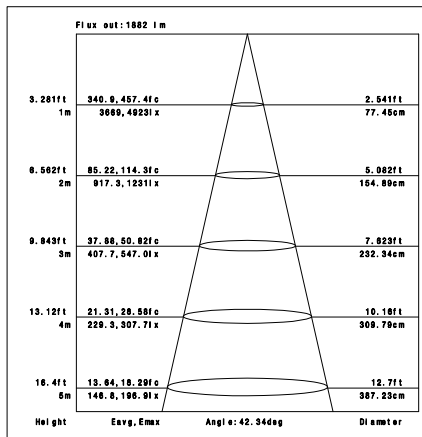
4000K



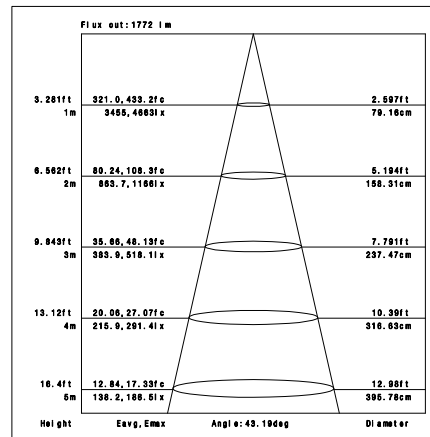
CRI80 36°



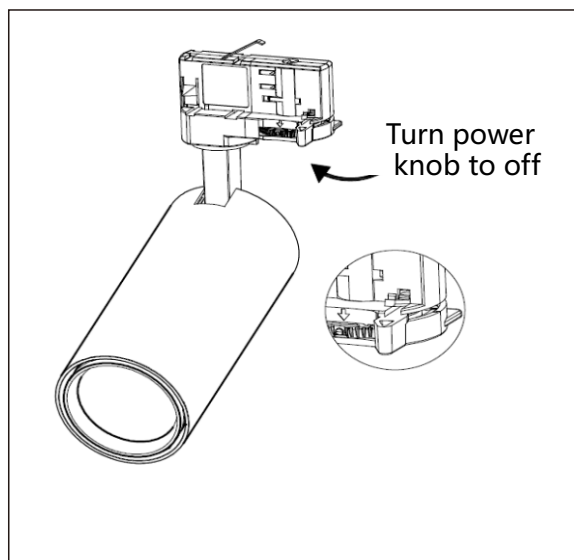
3000K



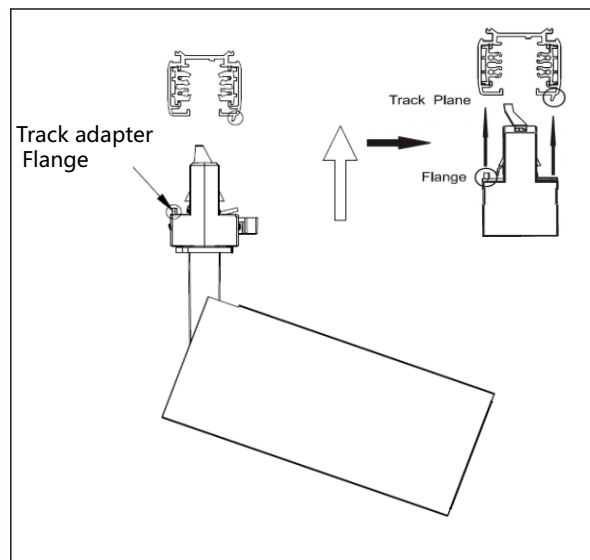
4000K



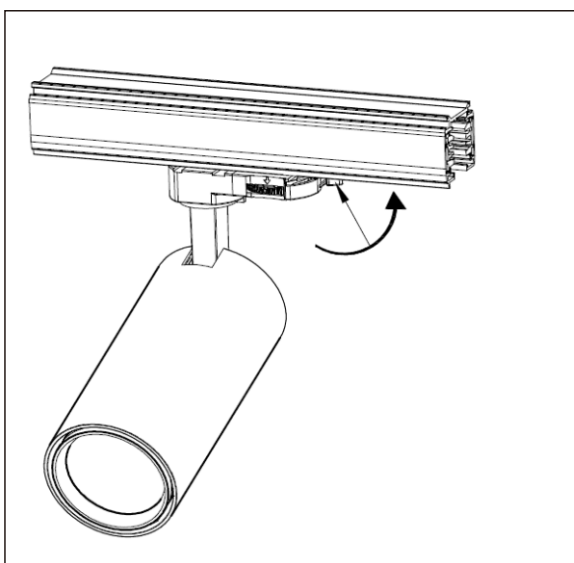
Adaptor installation diagram



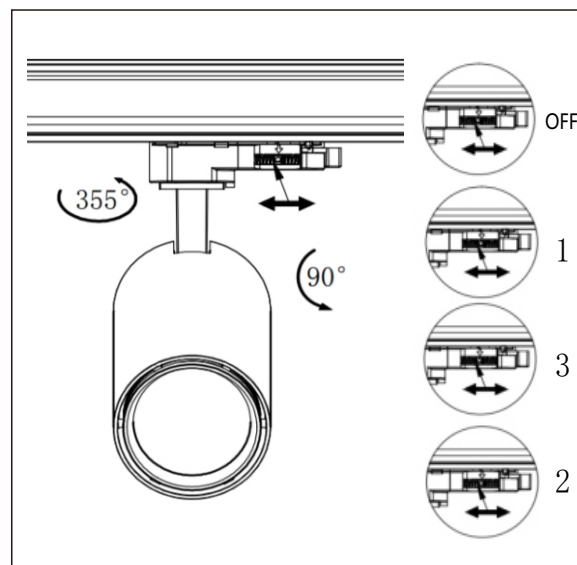
1. Make the power knob to off, and the hand grip at the right position



2. Make sure the track adapter flange is in the same track plane. Ensure that it is orientated correctly.



3. Revolve the hand grip to lock the track adapter

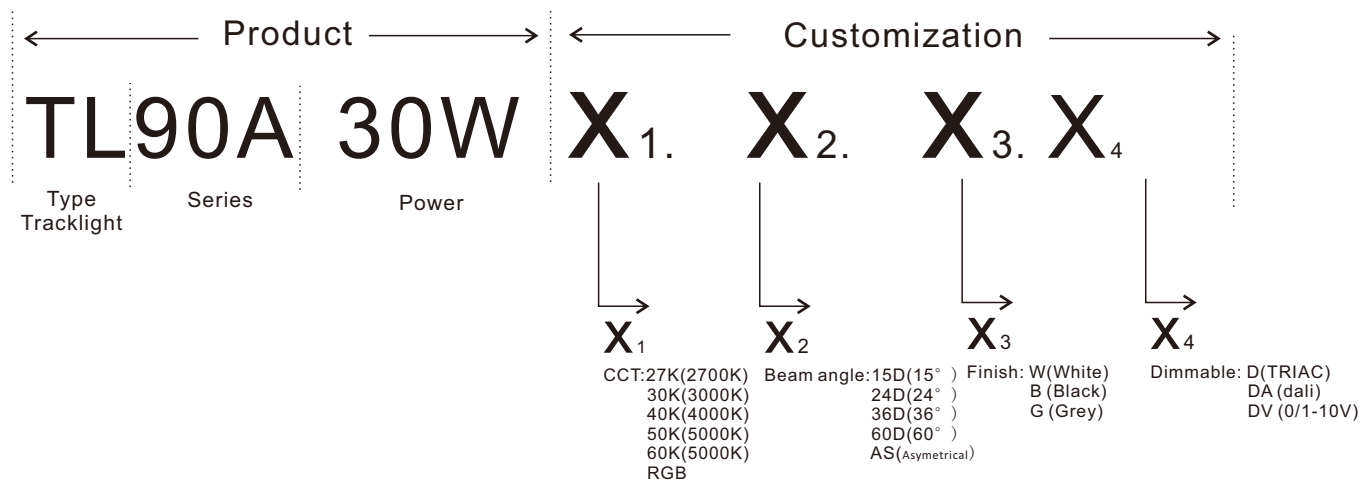


4. Turn the power knob to choose phase 1-3-2, then finish

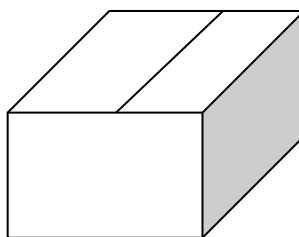
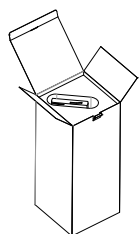
Warnings:

1. Make sure that the product is installed properly before connecting to electricity.
2. Do not cover the fitting.
3. Maintenance and installation should only be carried out by a professional electrician.

Product Model NO:



Packaging:



Box
95*95*H300mm
1pc/box
GW: 0.98kg/box

Outer carton
500*312*320mm
15pcs/CTN
GW: 15kg/carton

Applications:

Widely applied for accent lighting or wall washer in retail shops, galleries, museum or any other interior lighting.

Appication:



fashion



home store



department store



automotive



consumer electronics



food