

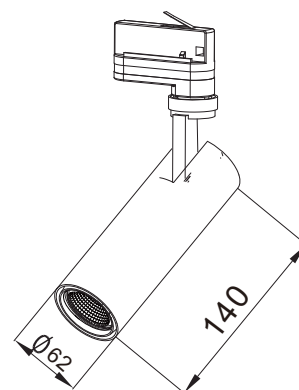
Cylinder 65

Technical Parameters:

Name	Parameters
Light source:	CITIZEN COB
Input Voltage:	AC220~240V 50/60Hz
LED Current:	250mA, 35~37V
Rated life:	>50,000 hours
Operating temperature:	-20°C~40°C
Storage temperature:	-30°C~60°C
Certificate:	CE/RoHS
Weight:	2.0KG



○ White ● Black



Light Distribution

Symmetrical distribution

Optics

Aluminum reflector

Control Gear

Electronic driver: Built in , Output 250mA 36V DC

Protection

CLASS I, IP20, Ta=25°C, Mech. impact protect IK 05 CE.

Mounting

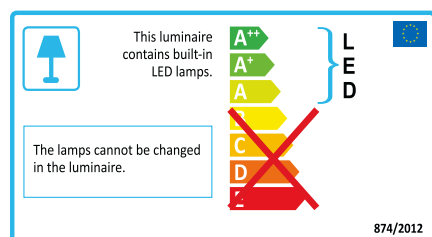
Track mounting with tracks

Grey ceiling cup. L=0.5 m.

Incl mains cable 3x0.75 mm²

Energy efficiency class: A++ to A

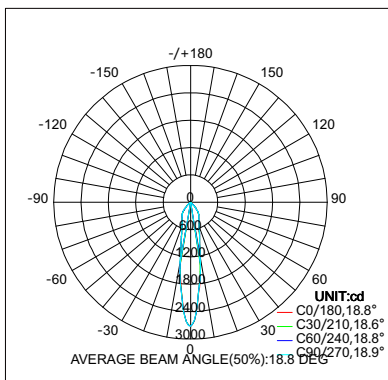
This luminaire contains incorporated and nonexchangeable LED light sources.



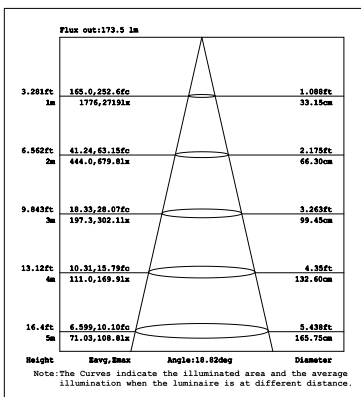


Technical Data test pattern

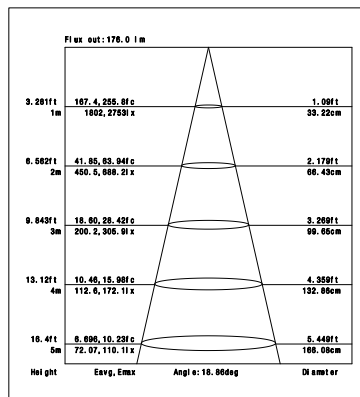
CRI80 15°



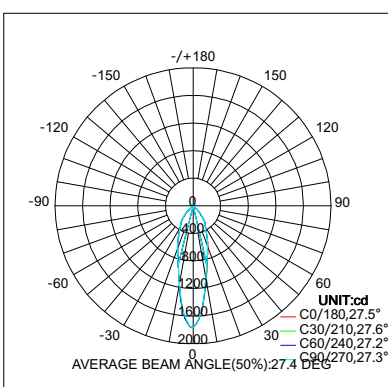
3000K



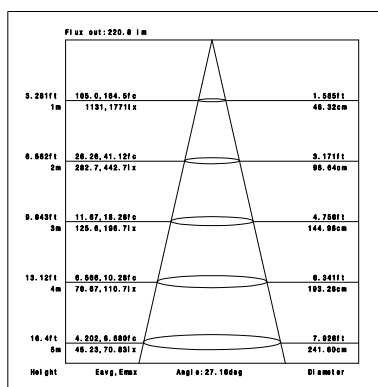
4000K



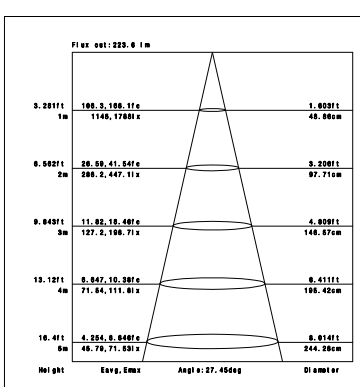
CRI80 24°



3000K



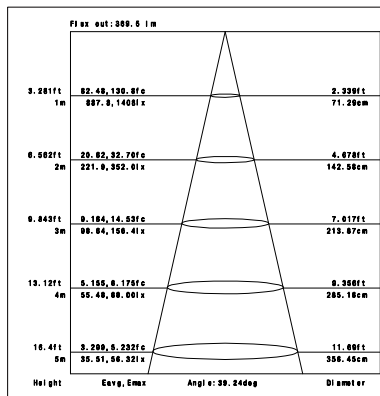
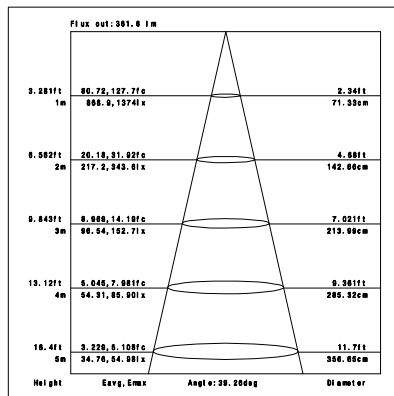
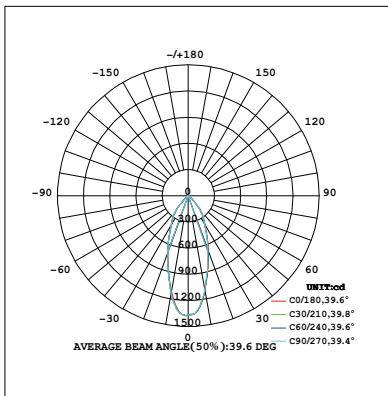
4000K



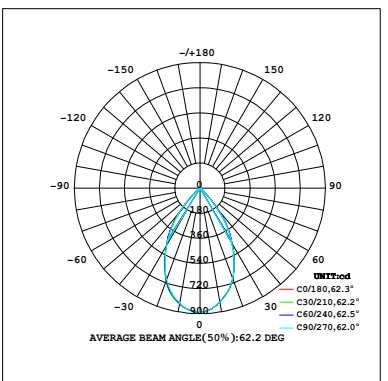
3000K

4000K

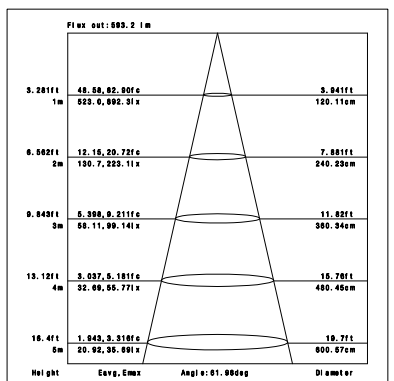
CRI80 38°



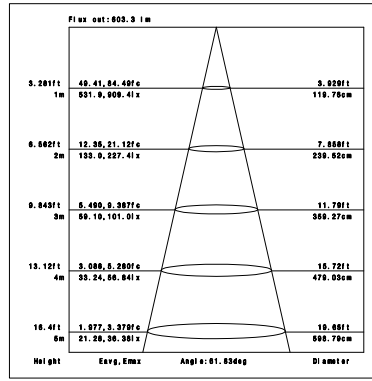
CRI80 60°



3000K



4000K

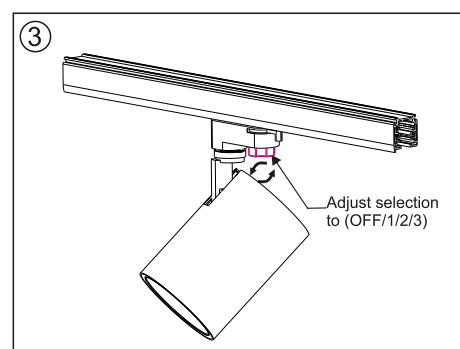
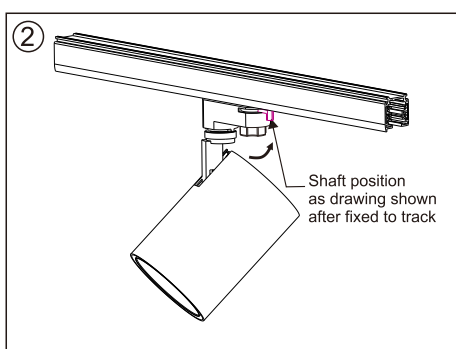
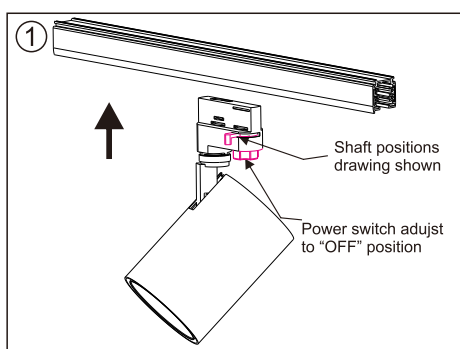


Ordering Information:

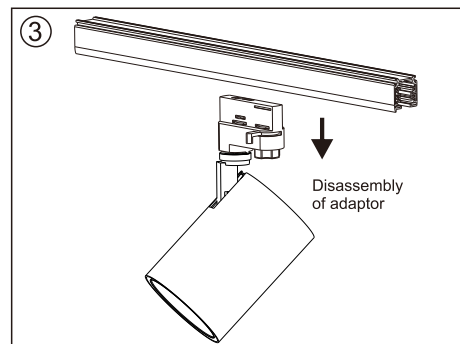
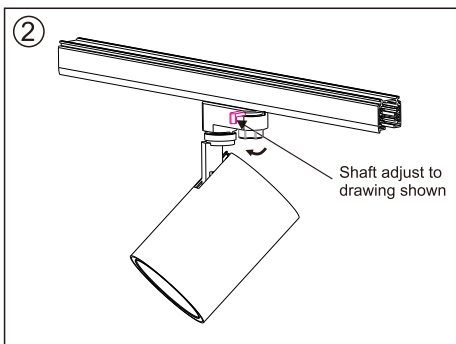
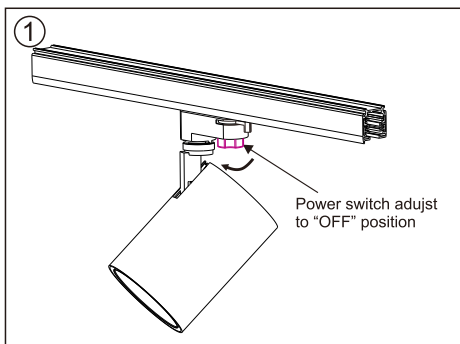
Model NO.	LED brand	Power(W)	CCT(K)	Luminous flux	Beam angle	PF	Dimension
TL6010	CITIZEN	10W	2700K,3000K,4000K	700LM±10%	15° 24° 38° 60°	>0.95	Φ 140*62*200mm
TL6015	CITIZEN	12W	2700K,3000K,4000K	900LM±10%	15° 24° 38° 60°	>0.95	Φ 140*62*200mm

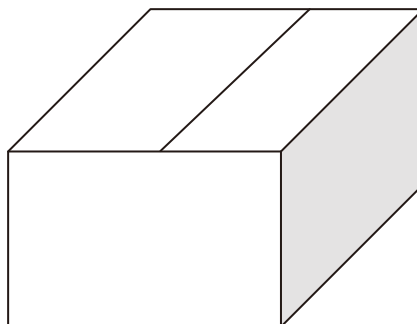
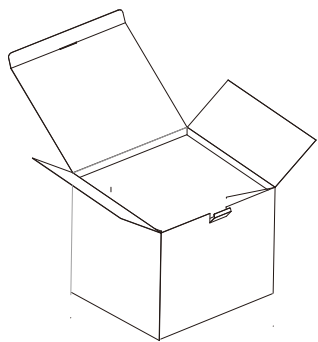
Installation Manual:

Adaptor installation diagram



Adaptor disassembly diagram



Packaging:

Box
163*65*157mm
1pc/box
GW: 0.65kg/box

Outer carton
520*282*340mm
24pcs/CTN
GW: 14kg/carton

Applications:

Widely applied for accent lighting or wall washer in retail shops, galleries, museum or any other interior lighting.



fashion



home store



department store



automotive



consumer electronics



food

