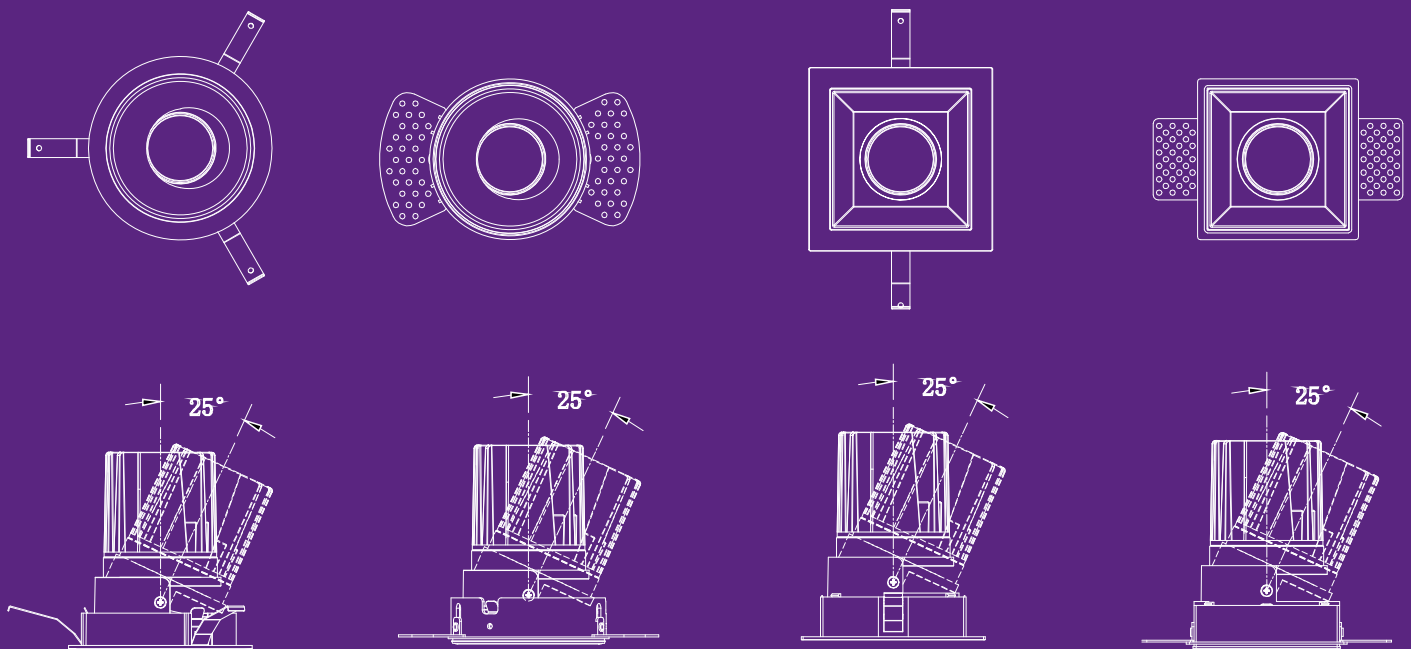


MAXIMUM FREEDOM

THE SATURN-SERIES



LUMINISE[®]

MODULAR VARIETY

INDIVIDUAL SOLUTIONS AND
MAXIMUM DESIGN FREEDOM



SATURN
Hospitality

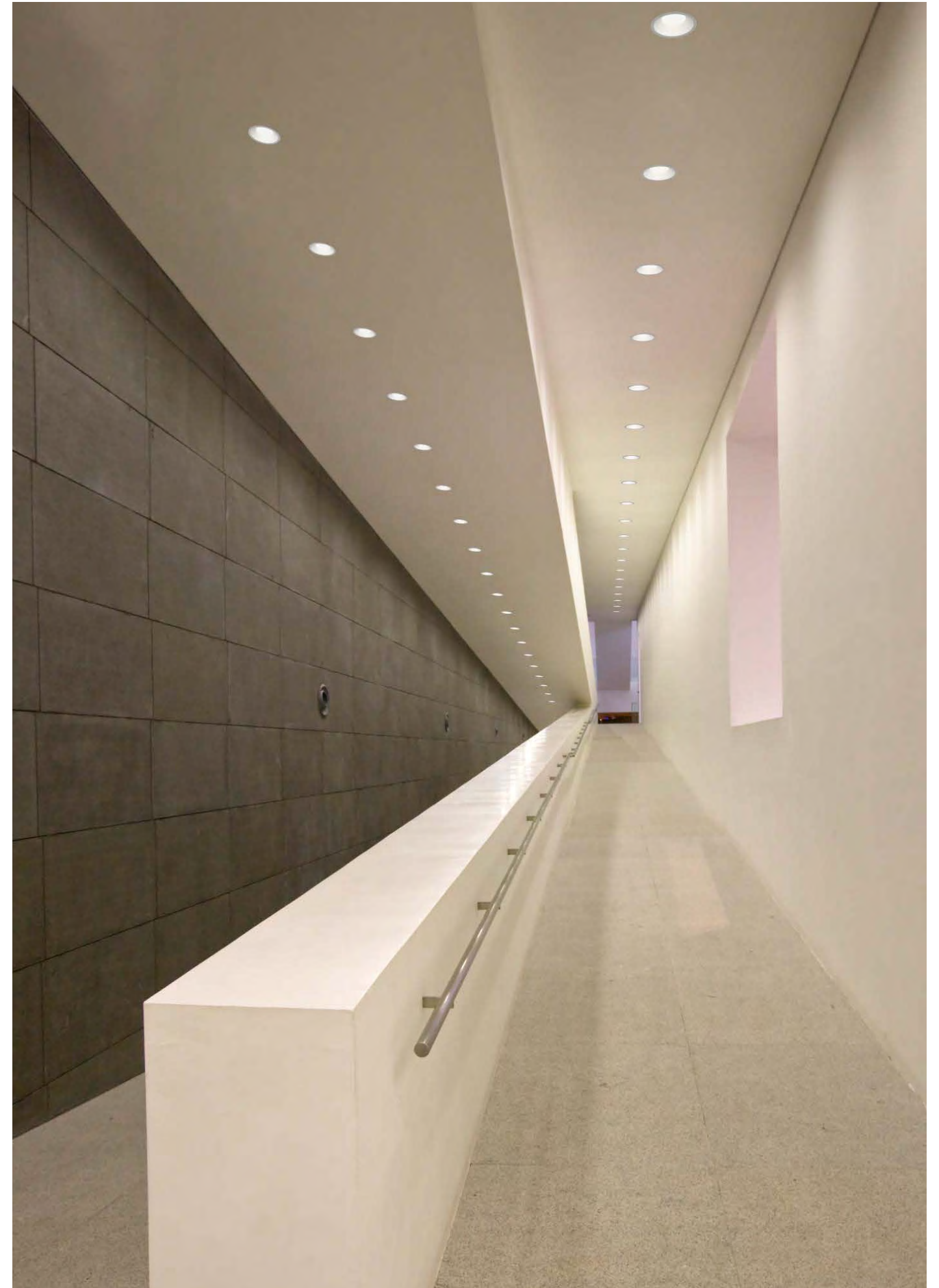
The focus of the new spotlight series is their modular character. SATURN is available in three sizes. A variety of solutions can be achieved by combining installation frames and front reflectors in different shapes and colours.

LIGHT IN LIFE

APPLICATION 01
SATURN Small Trimless Round
with front reflectors in chrome.



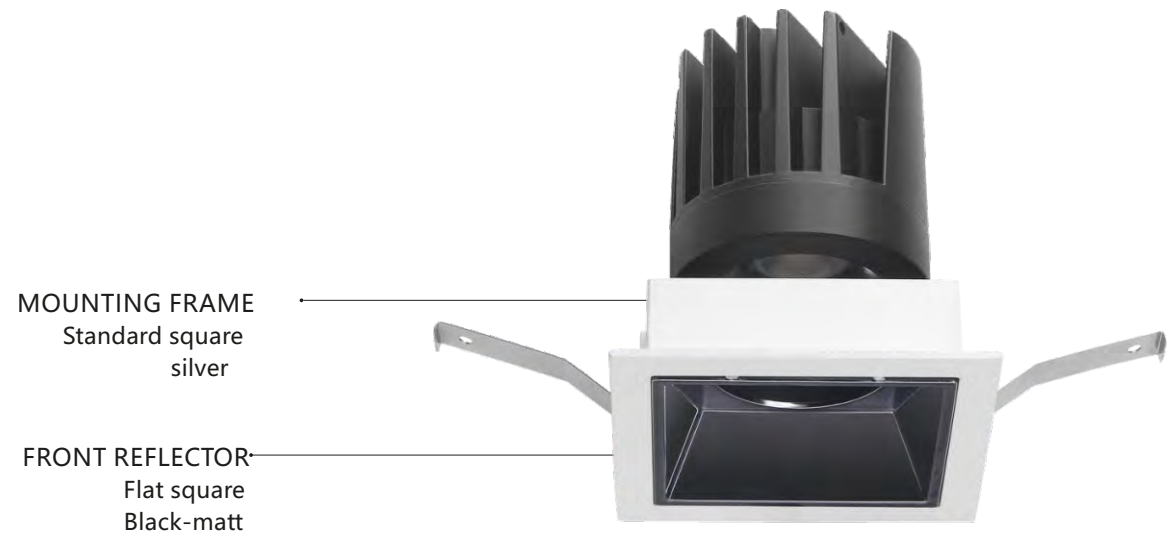
APPLICATION 02
SATURN Medium Standard Square in silver
with silver front reflectors.





APPLICATION 04
SATURN XSmall Standard Square in black
with front reflectors in chrome-black.

SATURN XS



MOUNTING FRAMES



Standard round
ST-XS-TMR 20



Standard square
ST-XS-TMS 10



Trimless round
ST-XS-TML 20



Trimless square
ST-XS-TML 10

COLOURS



FRONT REFLECTORS



Flat round
ST-XS-RFR 20



Flat square
ST-XS-RFQ 10

COLOURS



ACCESSORIES



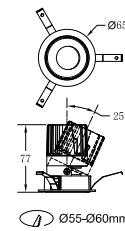
Honeycomb louvre

TECHNICAL DETAILS

BEAM ANGLE
15°, 24°, 36° 60°
COLOUR TEMPERATURE
2700 K, 3000 K, 4000 K
SYSTEM POWER
5 W, 7 W
LUMINOUS FLUX
420 lm, 560 lm
SYSTEM EFFICIENCY
73,6 lm/W, 80 lm/W
CONTROLS
DALI

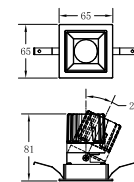
MEASUREMENTS

Standard Round



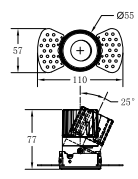
Ø55-Ø60mm

Standard Square



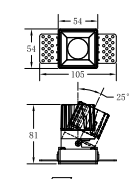
55X55mm

Trimless Round



Ø55-Ø60mm

Trimless Square



55X55mm

SATURN Small

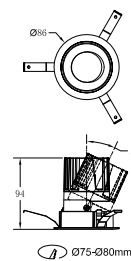


TECHNICAL DETAILS

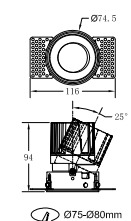
BEAM ANGLE
 15°, 24°, 36°
COLOUR TEMPERATURE
 3000 K, 4000 K
SYSTEM POWER
 10 W, 15 W
LUMINOUS FLUX
 850 lm, 1250 lm
SYSTEM EFFICIENCY
 85,7 lm/W, 78,9 lm/W
CONTROLS
 DALI

MEASUREMENTS

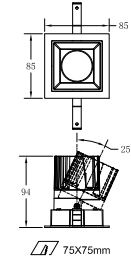
Standard Round



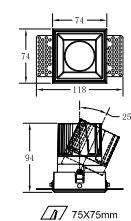
Trimless Round



Standard Square



Trimless Square



MOUNTING FRAMES



Standard round
DAL-XS-ESR 20



Standard square
DAL-XS-ESQ 10



Trimless round
DAL-XS-RFR 20



Trimless square
DAL-XS-ETQ 10

COLOURS



FRONT REFLECTORS



Flat round
DAL-XS-RFR 20



Flat square
DAL-XS-RFQ 10

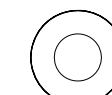
COLOURS



ACCESSORIES



Honeycomb louvre



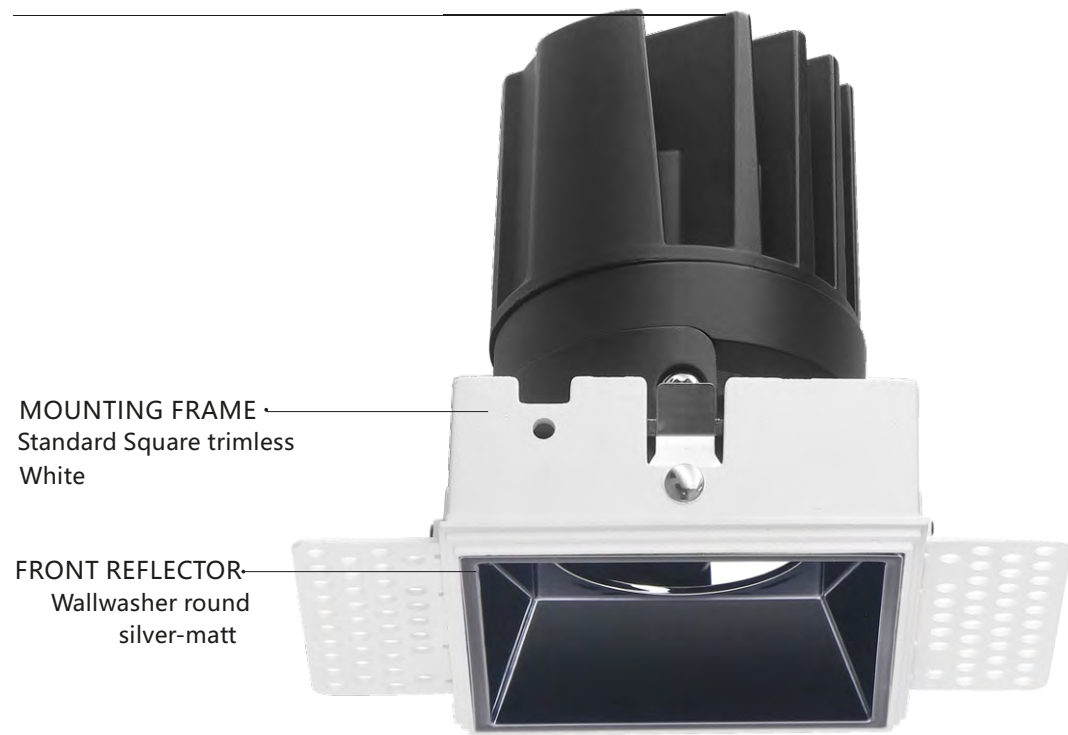
Pinhole Round



Pinhole Oval

SATURN

Small Fixed



MOUNTING FRAME
Standard Square trimless
White

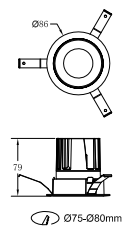
FRONT REFLECTOR
Wallwasher round
silver-matt

TECHNICAL DETAILS

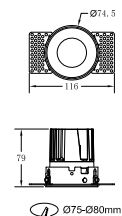
BEAM ANGLE
15°, 24°, 36°
COLOUR TEMPERATURE
3000 K, 4000 K
SYSTEM POWER
10 W, 15 W
LUMINOUS FLUX
850 lm, 1250 lm
SYSTEM EFFICIENCY
85,7 lm/W, 78,9 lm/W
CONTROLS
DALI

MEASUREMENTS

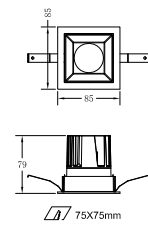
Standard Round



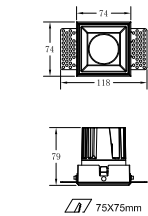
Trimless Round



Standard Square



Trimless Square



MOUNTING FRAMES



Standard round
ST-S-ESR 20



Trimless round
ST-S-RFR 20



Standard square
ST-S-ESQ 10



Trimless square
ST-S-ETQ 10

COLOURS



FRONT REFLECTORS



Flat round
ST-S-RFR 20



Flat square
ST-S-RFQ 10

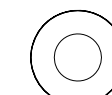
COLOURS



ACCESSORIES



Honeycomb louvre

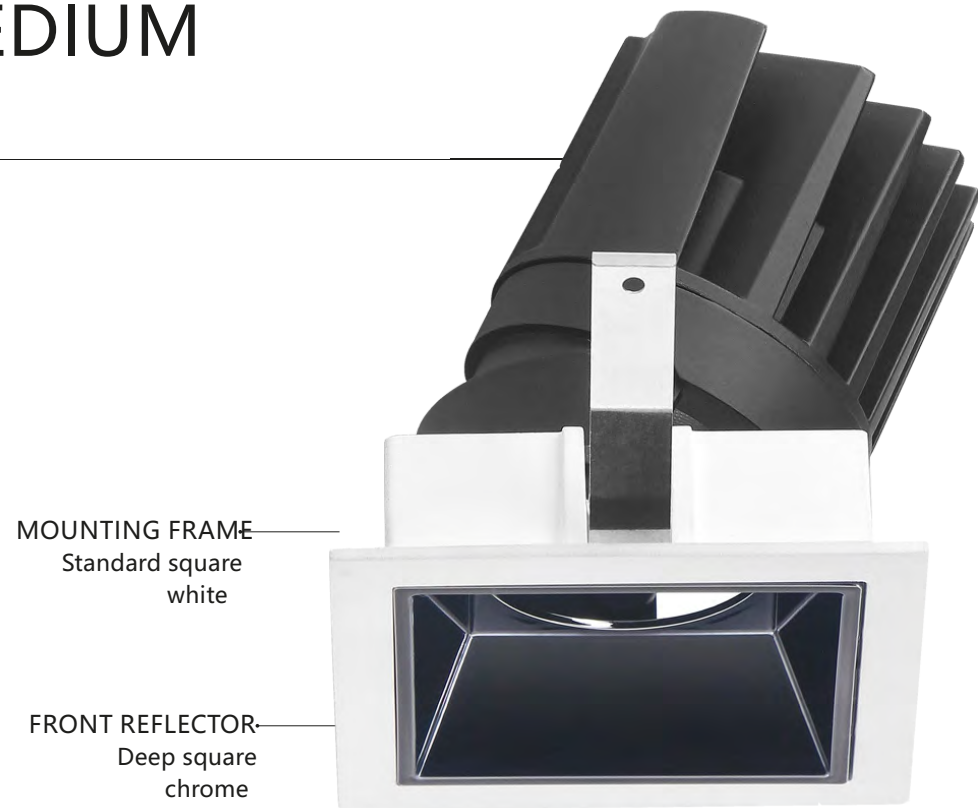


Pinhole Round



Pinhole Oval

SATURN MEDIUM

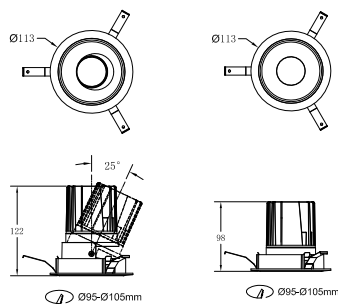


TECHNICAL DETAILS

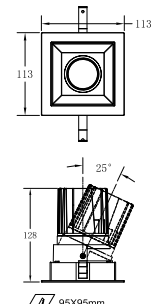
BEAM ANGLE
15°, 24°, 38°, 60°
COLOUR TEMPERATURE
3000 K, 4000 K
SYSTEM POWER
21 W, 28 W
LUMINOUS FLUX
1600 lm, 2150 lm
SYSTEM EFFICIENCY
76,2 lm/W, 76,8 lm/W
CONTROLS
DALI

MEASUREMENTS

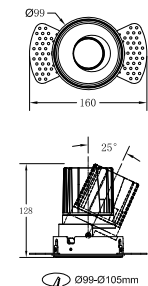
Standard Round



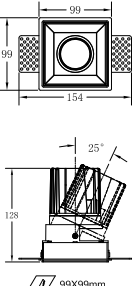
Standard Square



Trimless Round



Trimless Square



MOUNTING FRAMES



Standard round
ST-M-ESR 20



Standard square
ST-M-ESQ 10



Trimless round
ST-M-RFR 20



Trimless square
ST-M-ETQ 10

COLOURS



FRONT REFLECTORS



Flat round
ST-M-RFR 20



Flat square
ST-M-RFQ 10

COLOURS



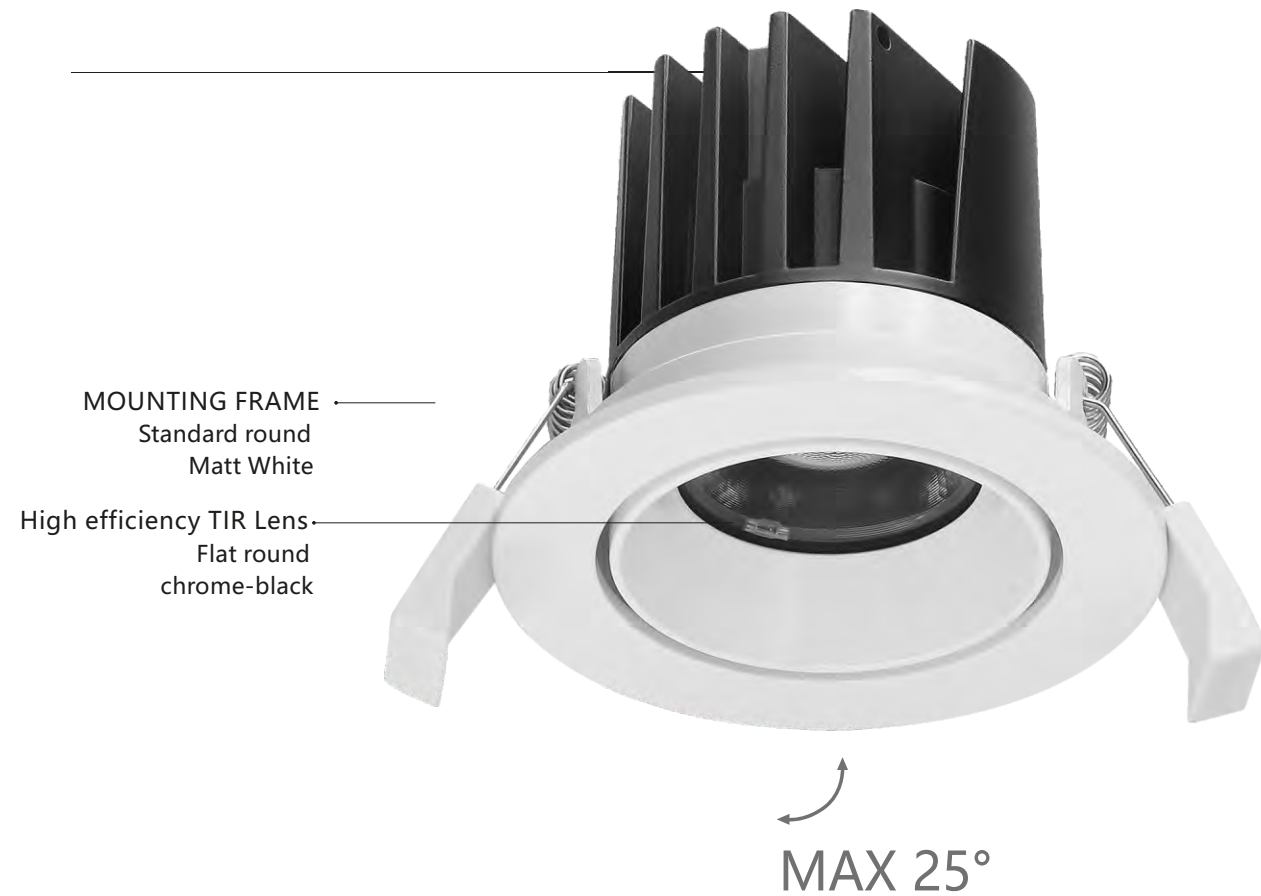
ACCESSORIES



Honeycomb louvre

SATURN LIGHT

Small

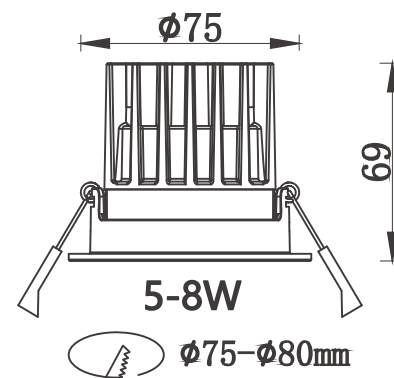


TECHNICAL DETAILS

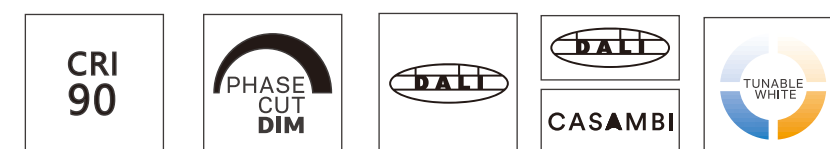
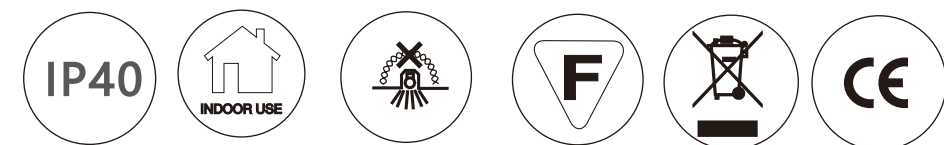
BEAM ANGLE
15°, 24°, 36°/60°
COLOUR TEMPERATURE
3000 K, 4000 K
SYSTEM POWER
8 W, 10 W, 12W
LUMINOUS FLUX
750 lm, 950 lm, 1200lm
SYSTEM EFFICIENCY
87,2 lm/W, 95,6 lm/W
CONTROLS
DALI

MEASUREMENTS

Standard Round



○ White ● Black ● chrome



SATURN LIGHT

Medium

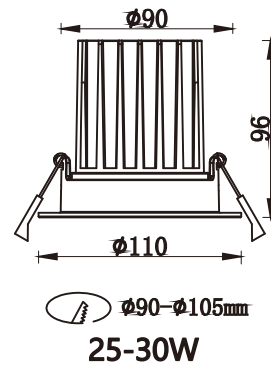
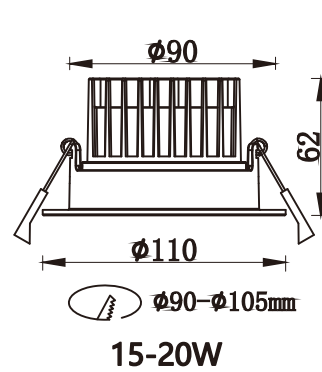


TECHNICAL DETAILS

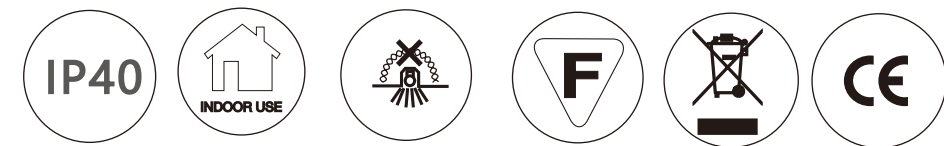
BEAM ANGLE
15°, 24°, 36°/60°
COLOUR TEMPERATURE
3000 K, 4000 K
SYSTEM POWER
15W, 20 W, 25W, 30W
LUMINOUS FLUX
1200 lm, 1800 lm, 2800lm, 3200lm
SYSTEM EFFICIENCY
87,2 lm/W, 95,6 lm/W
CONTROLS
DALI

MEASUREMENTS

Standard Round



○ White ● Black ● chrome



LUMIWISE[®]

SHENZHEN LUMIWISE LIGHTING

www.lumiwise-lighting.com

T: +86-0755-27200651

F: +86-0755-23319569

F/4 Block A Building, HongFa High Tech Industry park
, TangTou Road, Shiyan Street, Bao'an District,
Shenzhen City, 518108, China