



Cylinder zoomable tracklight



NEW

Product specification

INTERIOR TRACK LIGHT	
Installation	Track light
Cut out	-
Dimension	189 x 90 x 190mm

Technical description			
Article number	TL9035Z		
LED Consumption	32.6W (System Power 35W)		
Current	850mA		
CCT	2700K	3000K	4000K
Lumen *1	3420lm	3563lm	3656lm
system *3	3078lm	3207lm	3290lm
Voltage	36V DC		
Reflector	15°-55°		
CRI	>80 (PREMIUM 90+)		
Driver	Built in , I/P: 220-240V 50/60HZ O/P: 27-42V 850mA 35W Max, TRIAC/1-10V DC/DALI		

Technical character	
Insulation	CLASS I
Protection	IP 20
Tilt	0~90°
Rotate	0~355°
Operating temperature	-20~40°C
Average Failure Time	L70(10k) >60000 (h)

Materials	
Luminaire	aluminum
Reflector	lens
Heat sink	aluminum die-casting
Gear box	aluminum extrusion
Color available	white / black
Adaptor	Plastic

Package

inner box	200*150*150mm 0.95 kg
outer box	420*420*320mm 14kg 14PCS/CTN

Accessories

Remarks



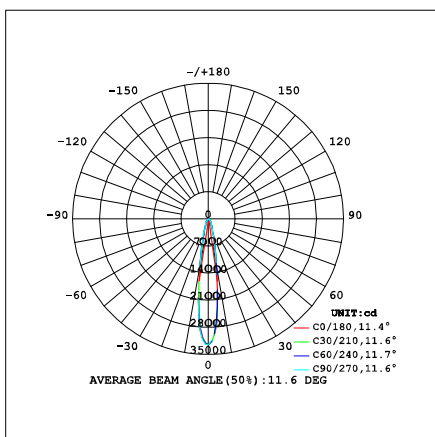
*1. LUMEN : for LED chip test result based on Tc=85°C.

This is the ideal (Maximum) lumen. This lumen information is from the LED supplier

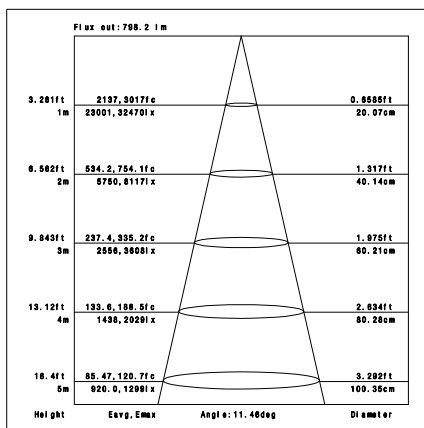
*3. LUMEN(system) (Total FLUX) : this lumen is from luminaire with heat sink, reflector and fixture, this is the real lumen with the loss because of different design of reflectors and fixtures.

Photometric

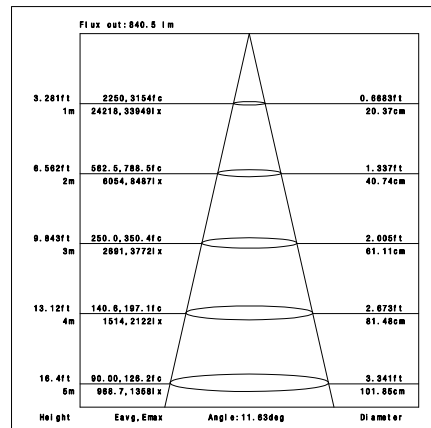
CRI80 15°



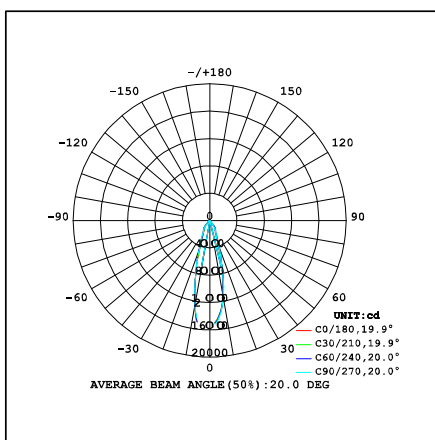
3000K



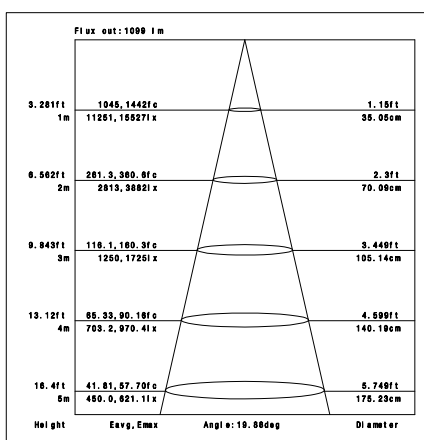
4000K



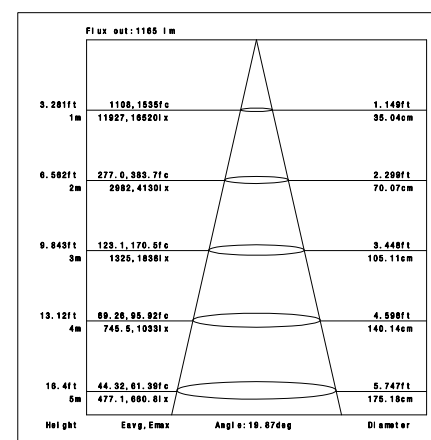
CRI80 24°



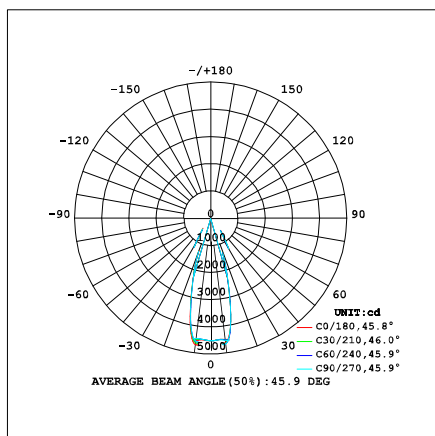
3000K



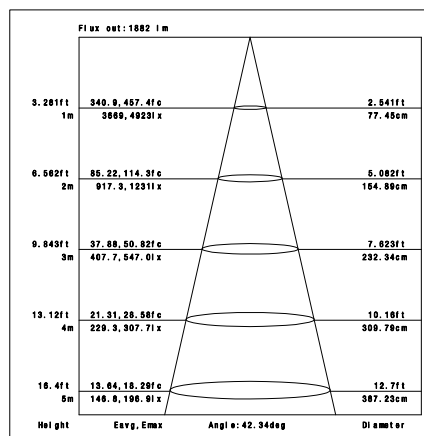
4000K



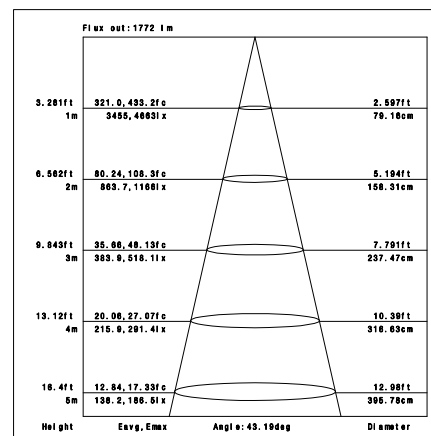
CRI80 36°



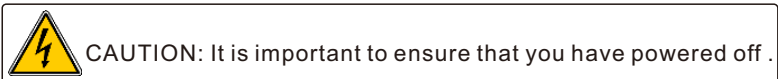
3000K



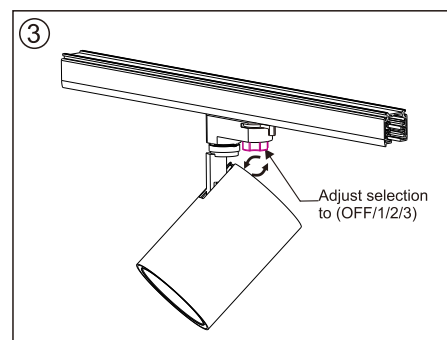
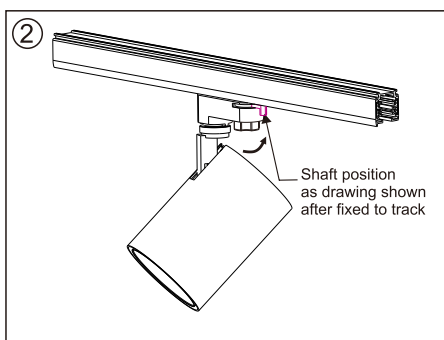
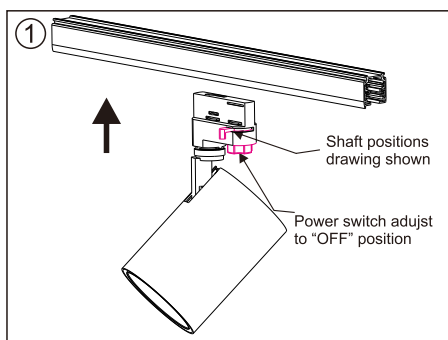
4000K



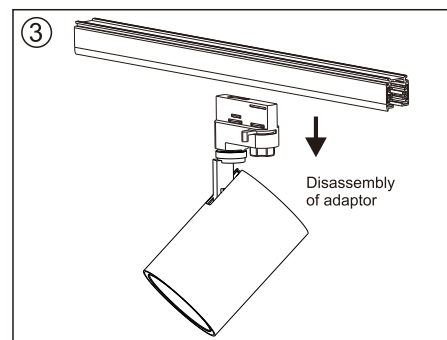
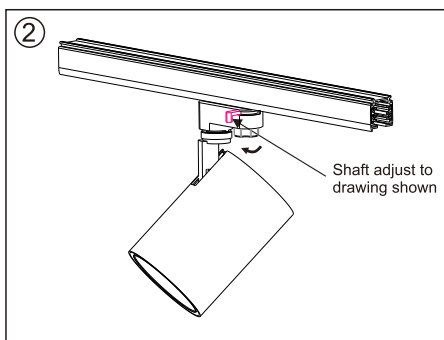
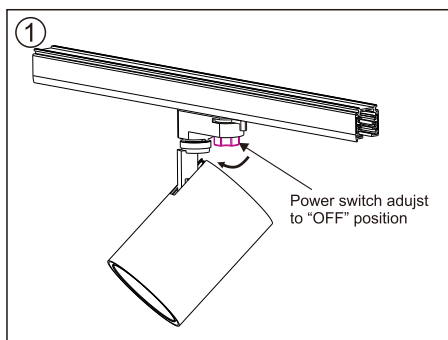
Installation instruction



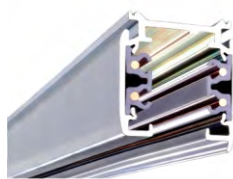
Adaptor installation diagram



Adaptor disassembly diagram



Installation Accessories



TRACK



X connector



Surface mouting kit



Straight connector



Live connector



T connector

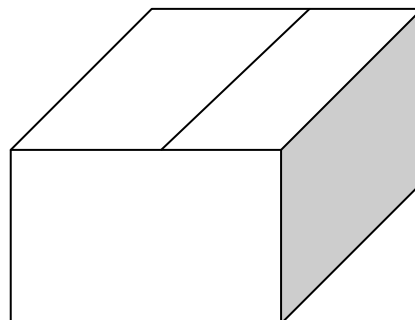
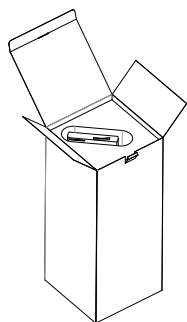


L connector



End cap

Packaging:



Box
L95*W95*H300mm
1pc/box
GW: 0.95kg/box

Outer carton
L400*W400*H315mm
15pcs/CTN
GW: 14kg/carton

Applications:

Widely applied for accent lighting or wall washer in retail shops, galleries, museum or any other interior lighting.



fashion



home store



department store



automotive



consumer
electronics



food