

Cylinder 90



Product specification

INTERIOR TRACK LIGHT	
Installation	Track light
Cut out	-
Dimension	218 x 90 x 190mm

(mm)

Technical description			
Article number	TL90A25W		
LED Consumption	21.5W CITIZEN COB		
Current	650mA		
CCT	2700K	3000K	4000K
Lumen *1	2978lm	3102lm	3183lm
system *3	2680lm	2792lm	2865lm
Voltage	36V DC		
Reflector	15°24°38°60°		
CRI	>80 (PREMIUM 90+)		
Driver	Built in , I/P: 220-240V 50/60HZ O/P: 27-42V 650mA 25W Max		

Technical character	
Insulation	CLASS I
Protection	IP 20
Tilt	0~90°
Rotate	0~355°
Operating temperature	-20~40°C
Average Failure Time	L70(10k) >60000 (h)

Materials	
Luminaire	aluminum extrusion
Reflector	optic lens
Heat sink	aluminum extrusion
Gear box	none
Color available	white / black
Color available	built in flicker free

Package

inner box	95*95*H300mm 0.98 kg
outer box	500*312*320mm 14kg 15PCS/CTN

Accessories

	Honeycomb louvre Code 90OA01H		Barn doors Code 90OA02B
			Cone 45° wall washer Code 90OA03W
			Short snoot Code 90OA04S

Remarks



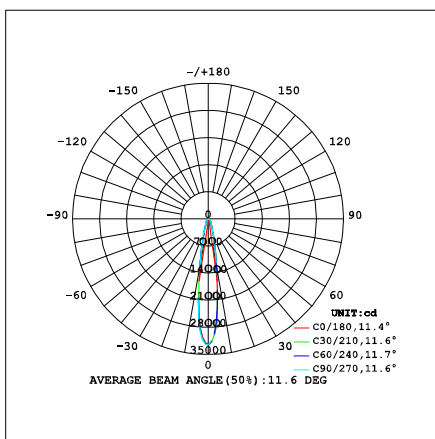
*1. LUMEN : for LED chip test result based on Tc=85°C.

This is the ideal (Maximum) lumen. This lumen information is from the LED supplier

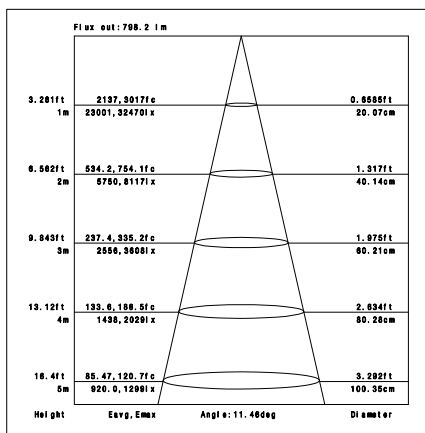
*3. LUMEN(system) (Total FLUX) : this lumen is from luminaire with heat sink, reflector and fixture, this is the real lumen with the loss because of different design of reflectors and fixtures.

Photometric

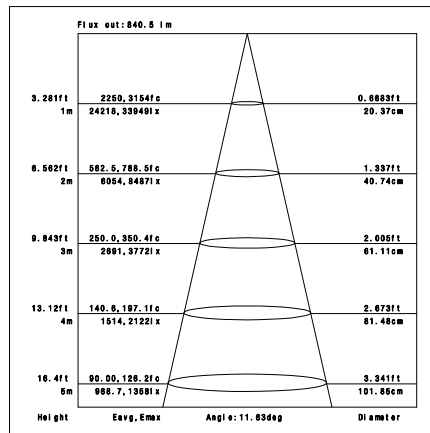
CRI80 15°



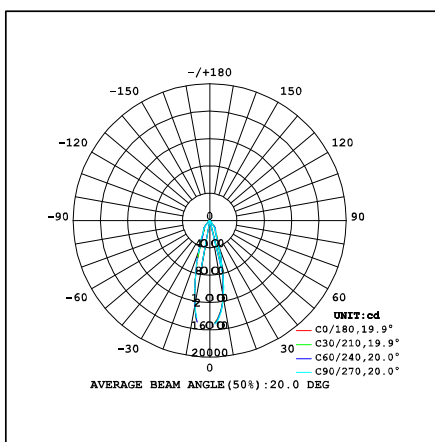
3000K



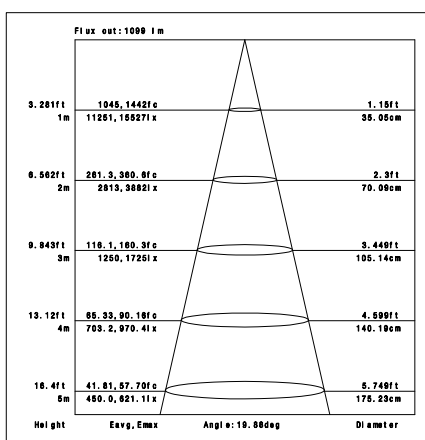
4000K



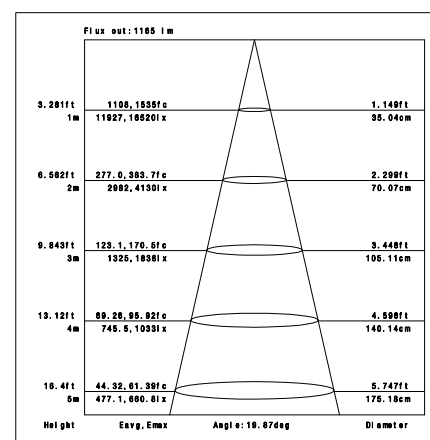
CRI80 24°



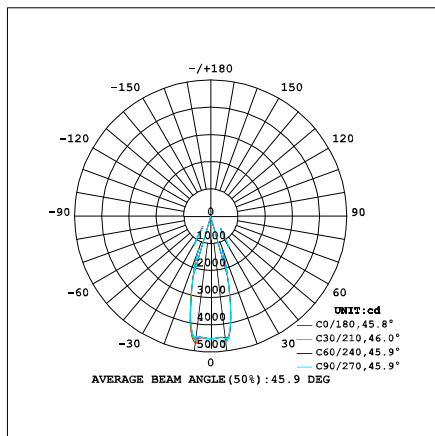
3000K



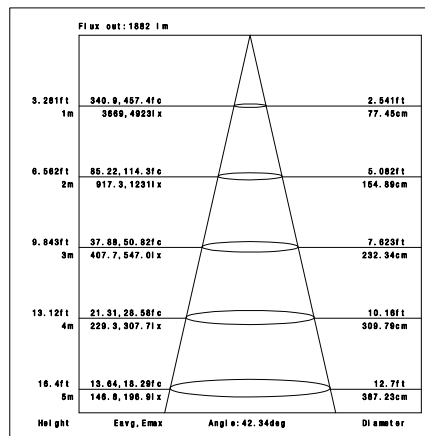
4000K



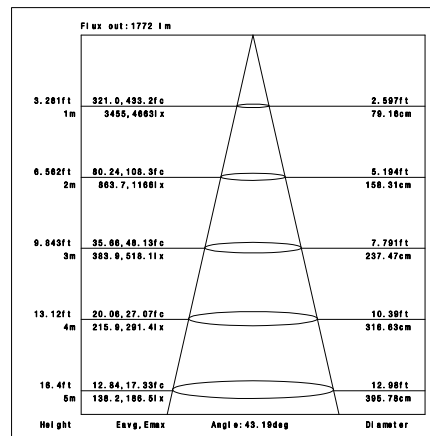
CRI80 36°



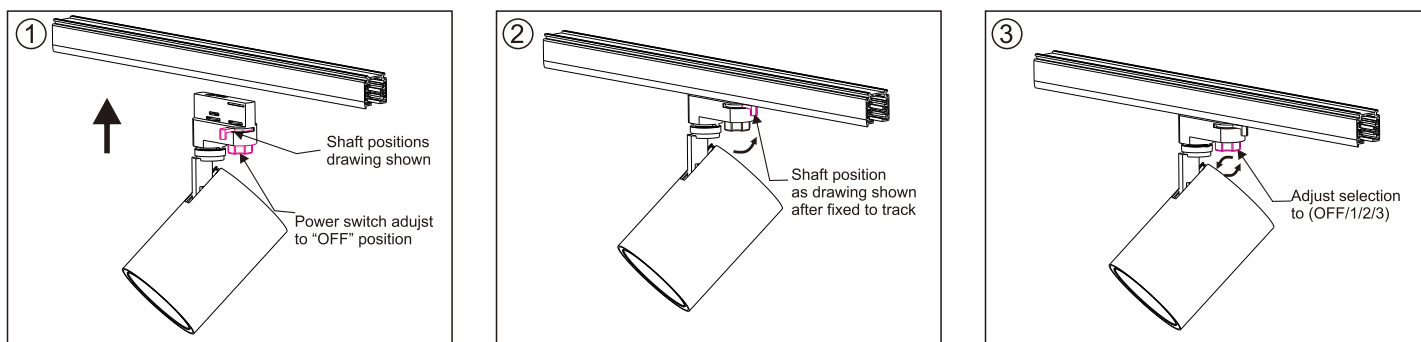
3000K



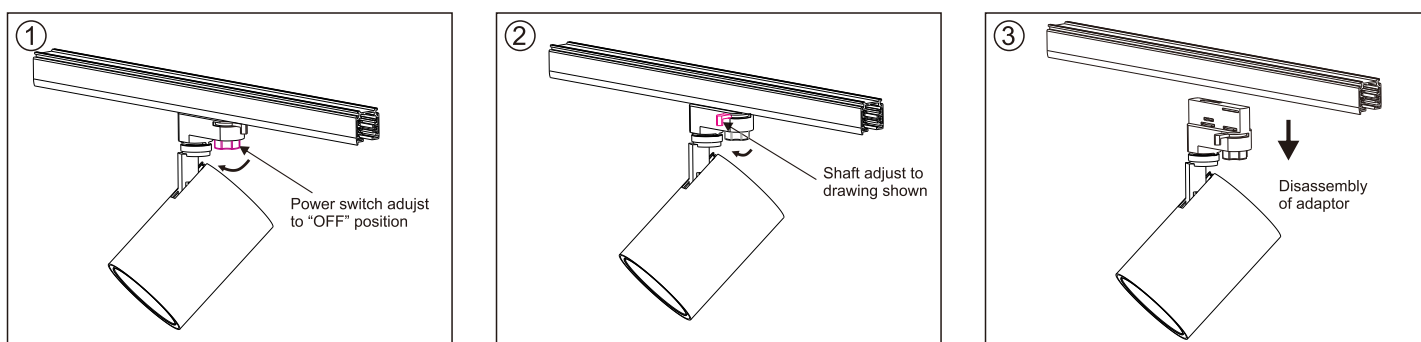
4000K



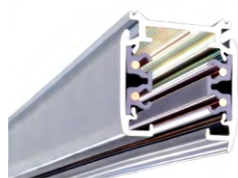
Adaptor installation diagram



Adaptor disassembly diagram



Installation Accessories



TRACK



X connector



Surface mouting kit



Straight connector



Live connector



T connector



L connector



End cap

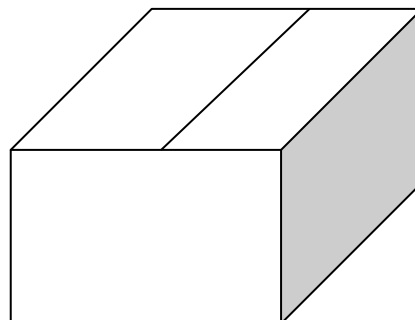
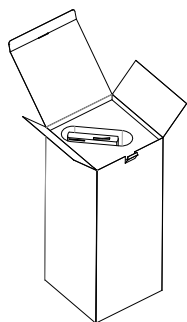


Quick T-BAR



Suspension cable

Packaging:



Box
95*95*H300mm
1pc/box
GW: 0.98kg/box

Outer carton
500*312*320mm
15pcs/CTN
GW: 15.5kg/carton

Applications:

Widely applied for accent lighting or wall washer in retail shops, galleries, meuseum or any other interior lighting.



fashion



home store



department store



automotive



consumer
electronics



food